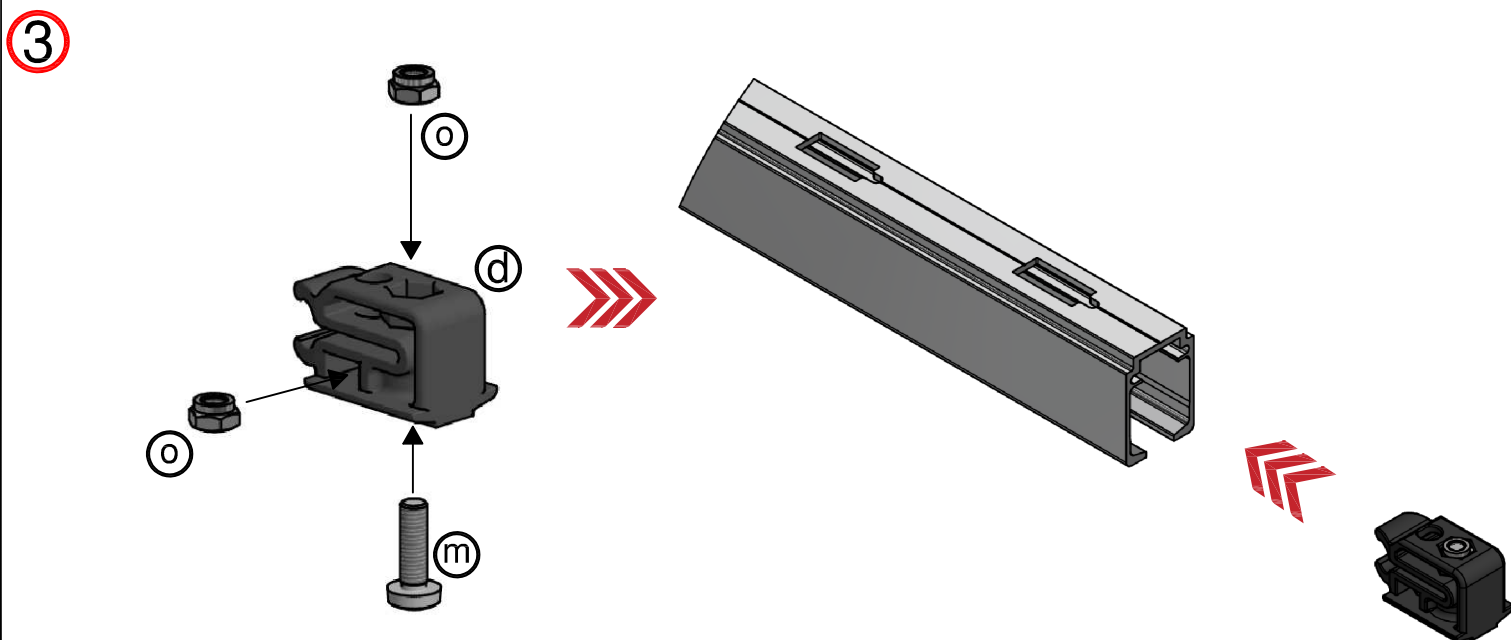
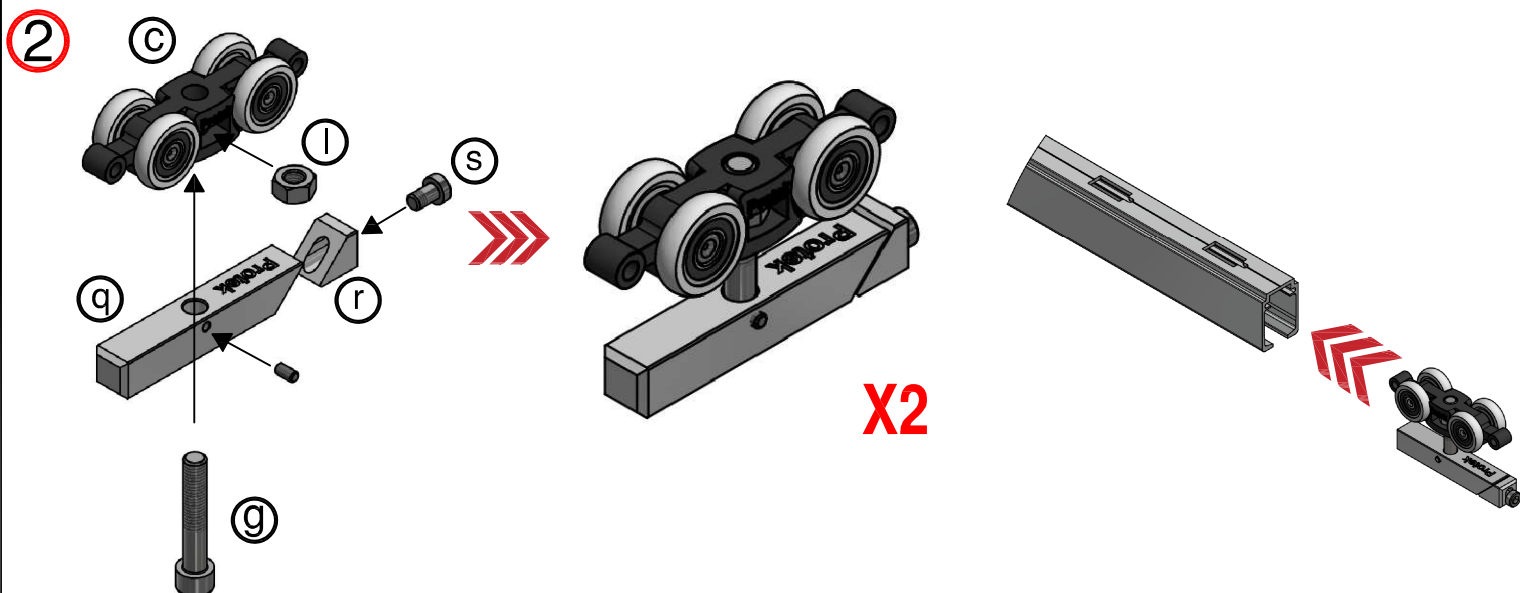
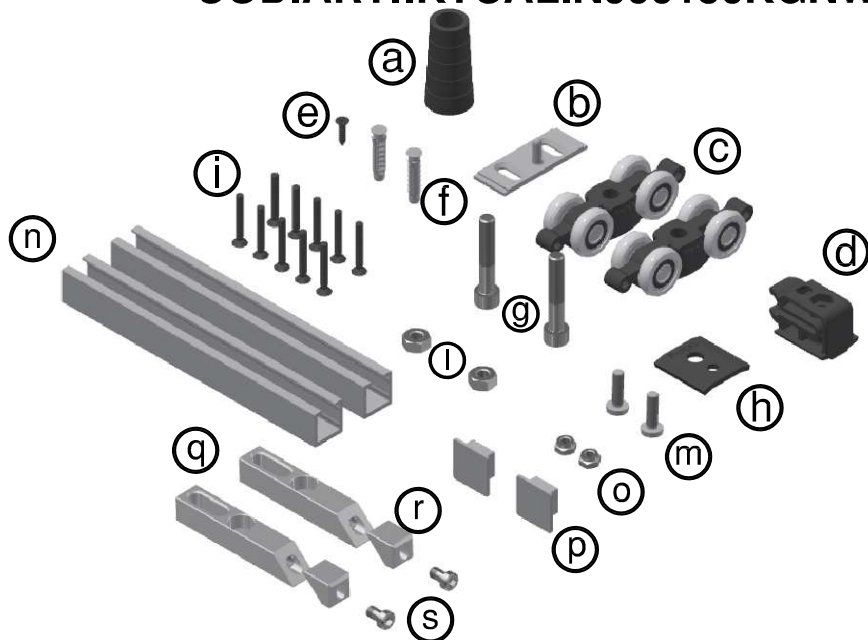
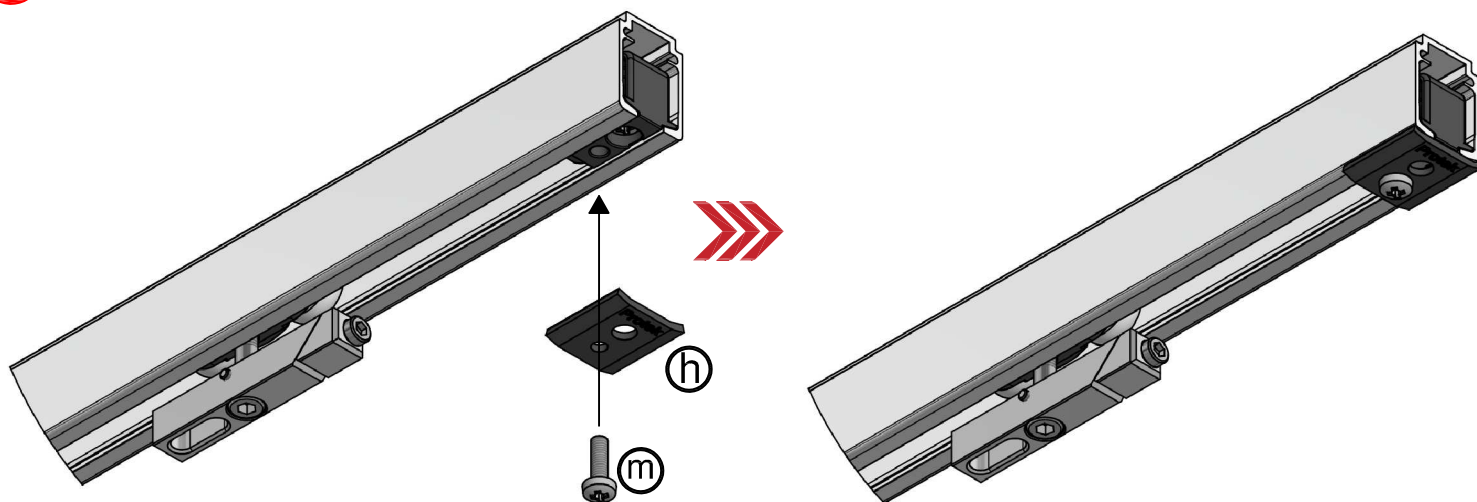


COD.ART.:KTCALIN000150KGNW

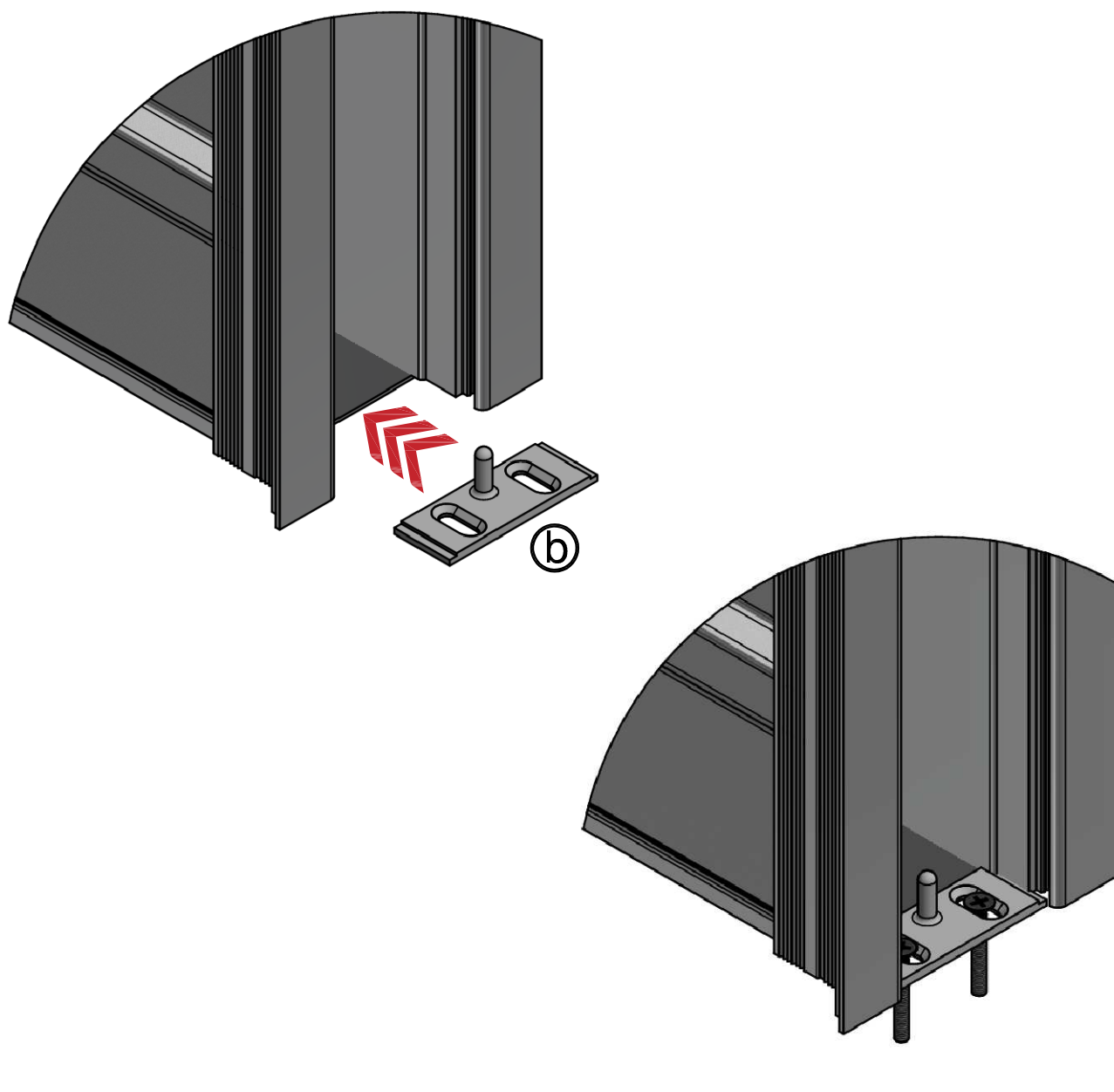
- 1**
- | | |
|----------|--------------|
| (a) Pz.1 | (i) Pz.10 |
| (b) Pz.1 | (l) Pz.2 |
| (c) Pz.2 | (m) Pz.2 |
| (d) Pz.1 | (n) Pz.2 |
| (e) Pz.1 | (o) Pz.2 |
| (f) Pz.2 | (p) Pz.2 |
| (g) Pz.2 | (q) (r) Pz.2 |
| (h) Pz.1 | (s) Pz.2 |



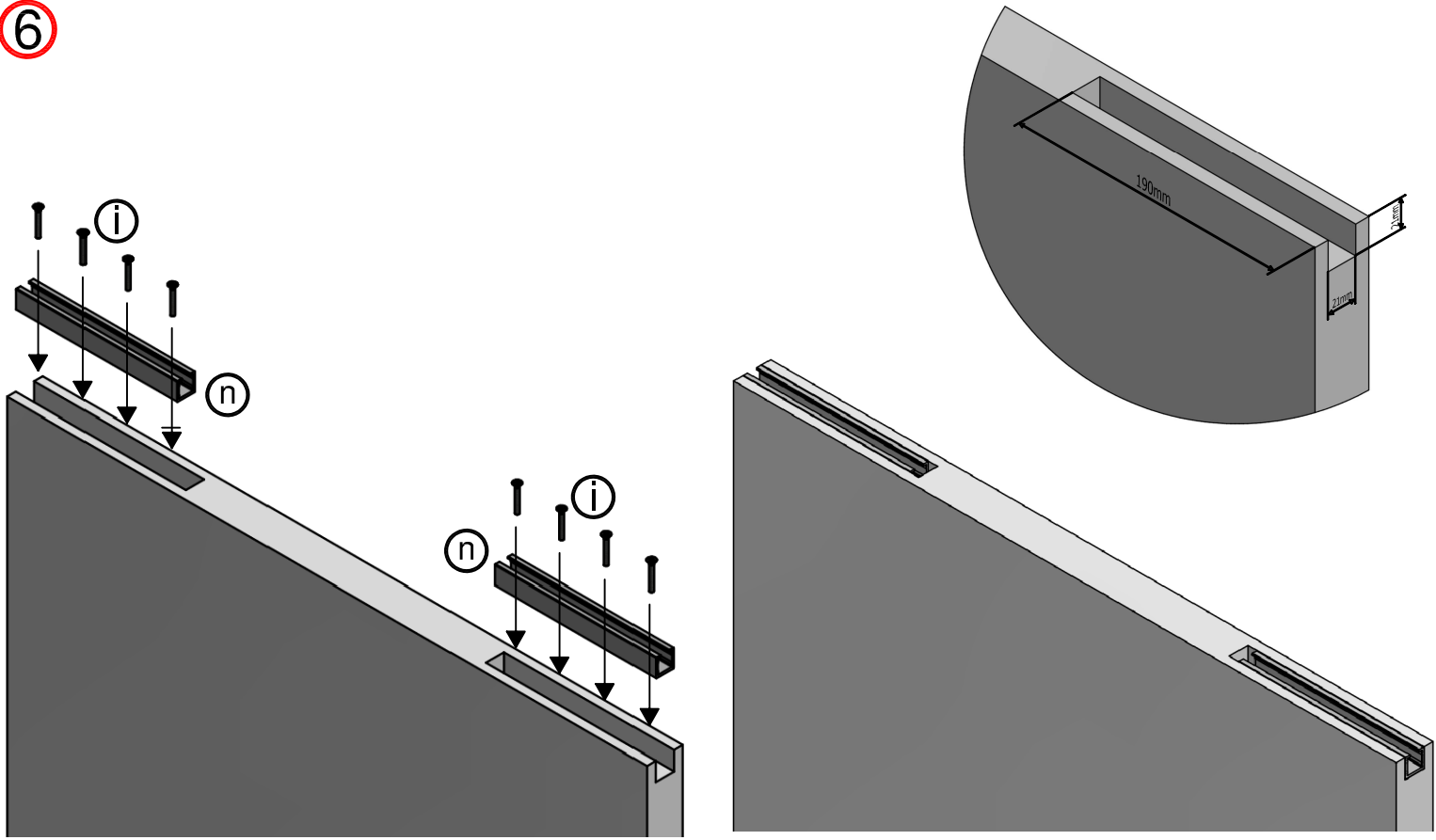
4



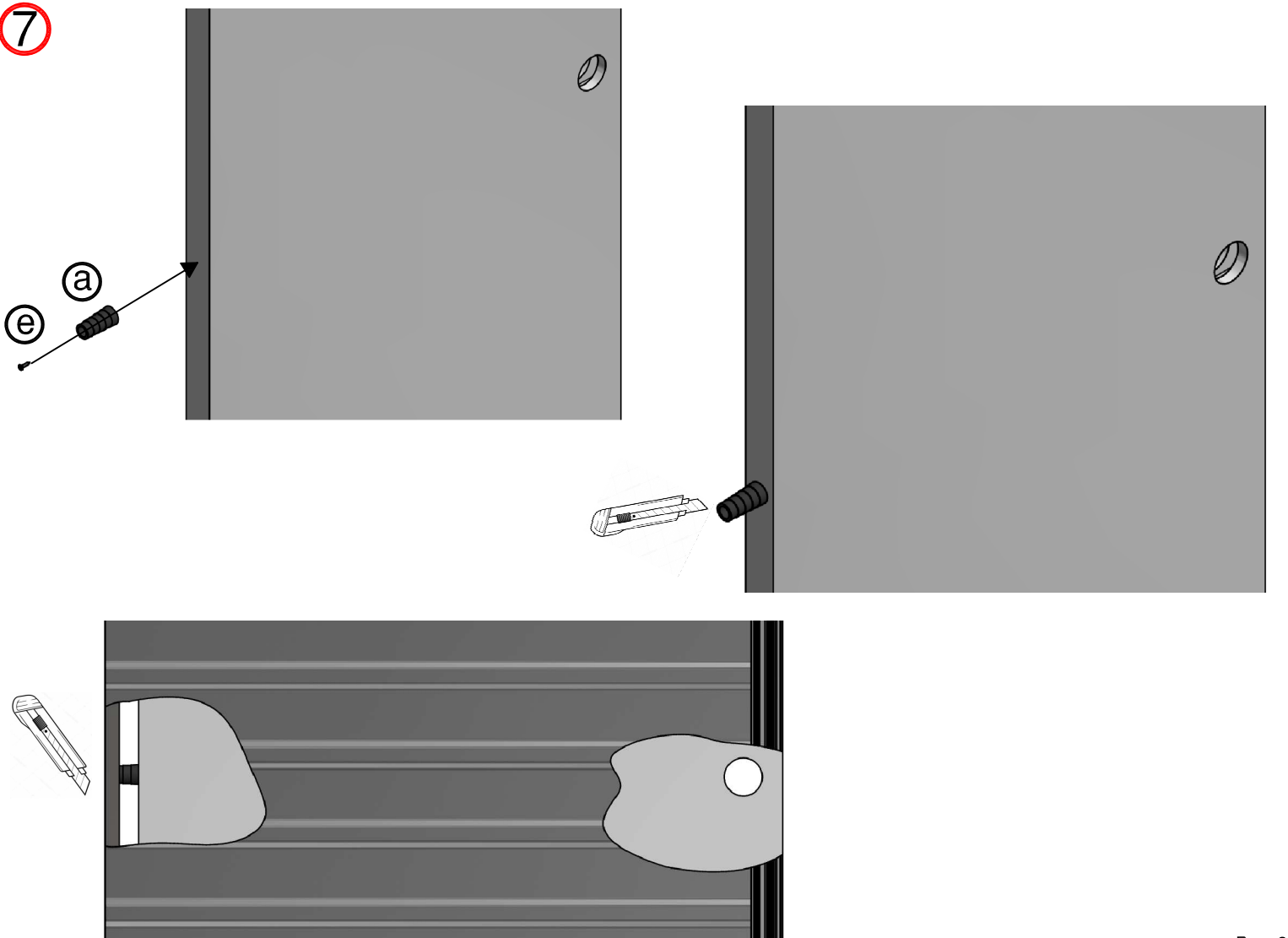
5



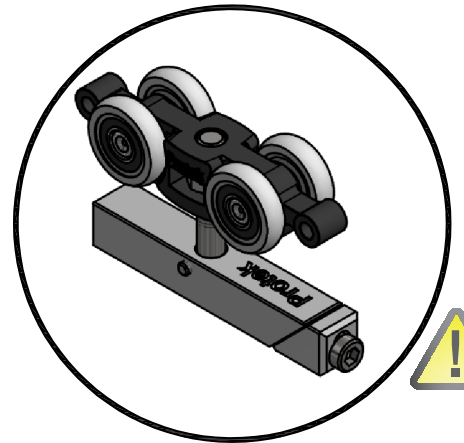
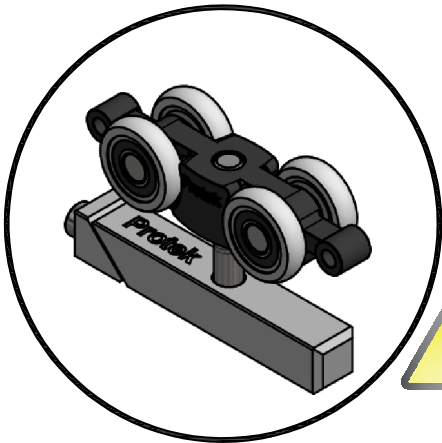
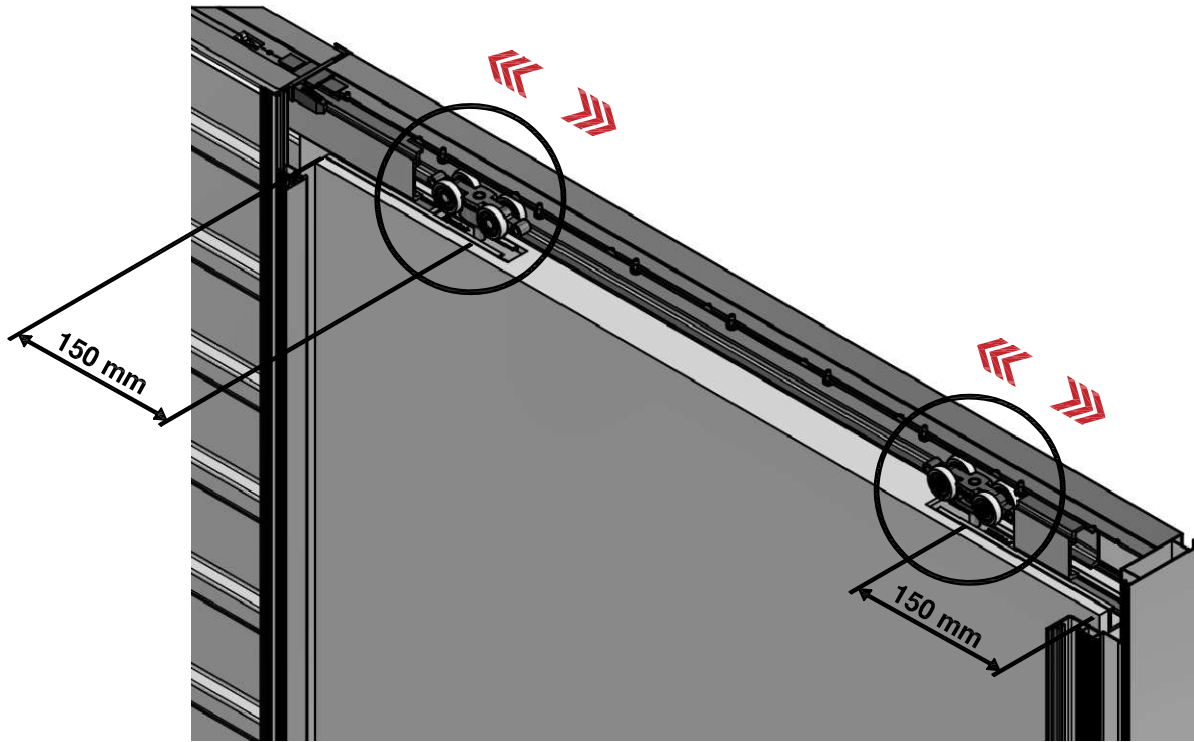
6



7



8



9

